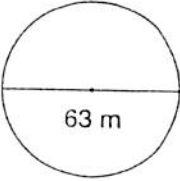
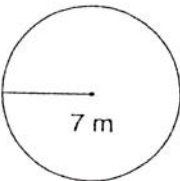
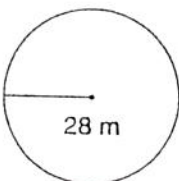
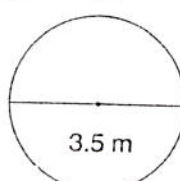
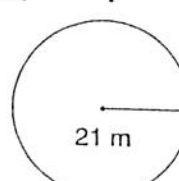
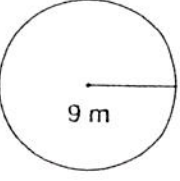
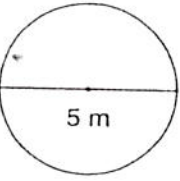
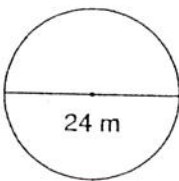
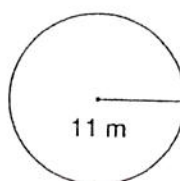
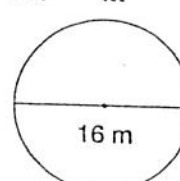
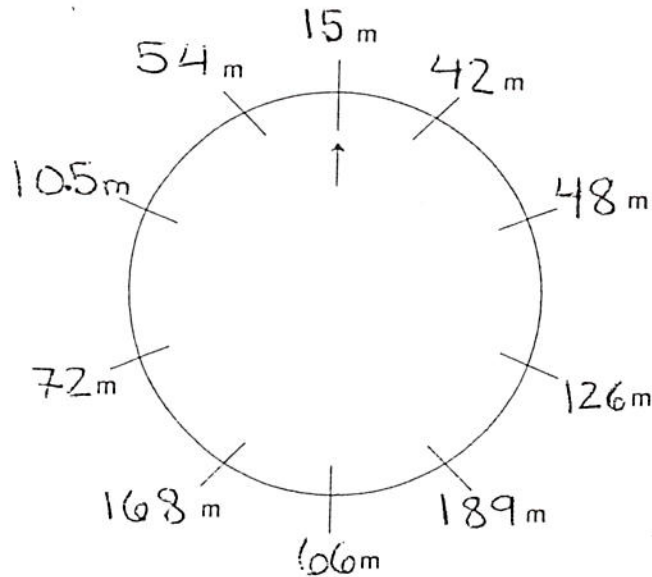


**LESSON 9-8** **Puzzles, Twisters & Teasers**  
**Circular Reasoning**

Find the circumference of the circles by using 3 for  $\pi$ . Find each answer on the wheel. Write the letter for each answer on the wheel. Read around the circle starting at the arrow to solve the riddle.

1. C	2. E	3. R	4. L	5. I
				
_____	_____	_____	_____	_____

6. E	7. S	8. C	9. I	10. M
				
_____	_____	_____	_____	_____



What kind of circle do truck drivers like?

A \_\_\_\_\_